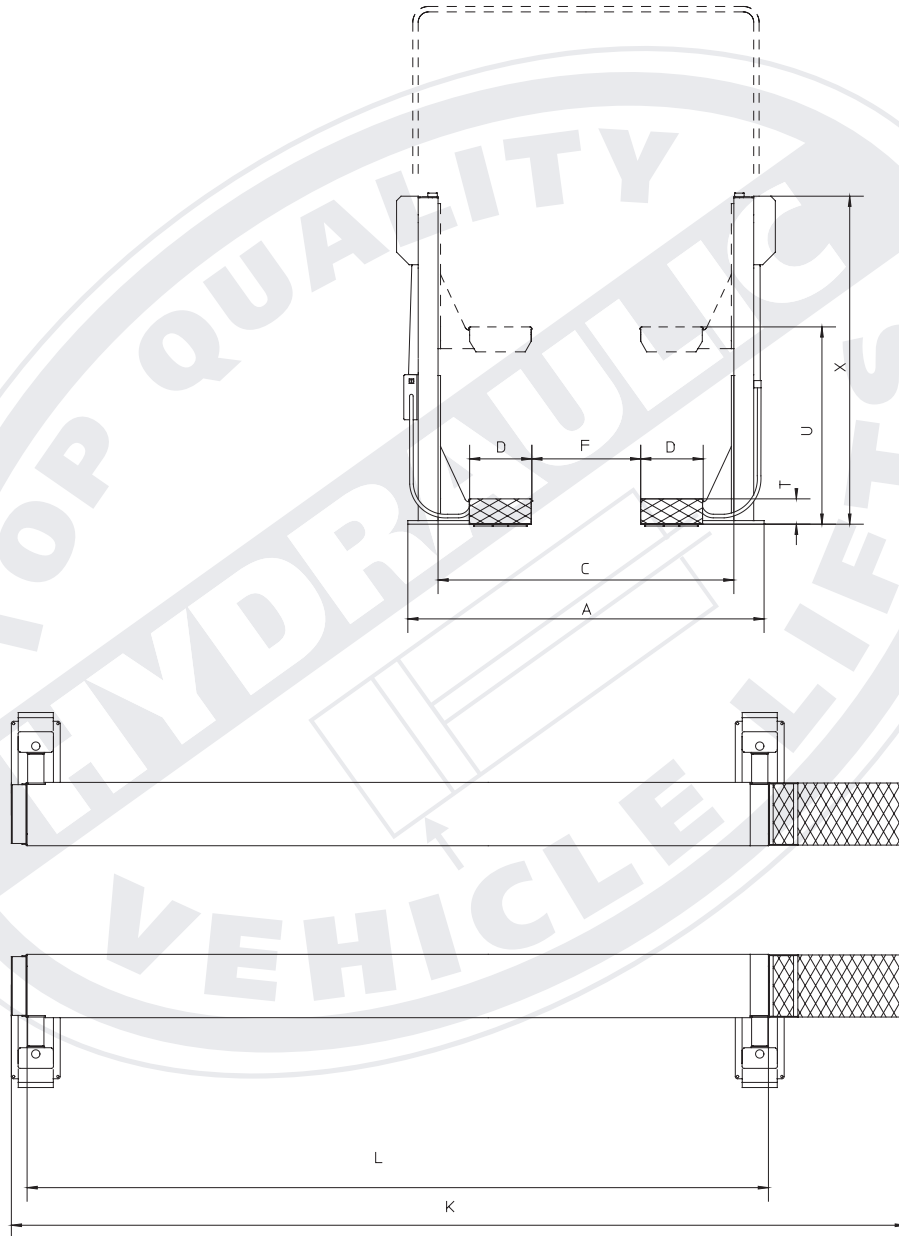


# Specifications & Measurements



**Vehicle lift type:** ST 4250  
**Lifting system:** Hydraulic  
**Capacity:** 54.000 lbs.  
**Lifting time:** 72 Sec.  
**Lifting height:** 6'- 3"  
**Drive-on height:** 11" or 12 3/4" dependent on track length



Track length	K	L	A	C	D	F	T	U	X
19'- 8 1/4"	25'- 5 3/4"	20'- 4 1/8"	12'-11 1/2"*	10'- 7"*	27 1/2"	(39'- 1/2")* (47'-1/4")*	11"	6'- 3"	11'- 10 1/2"
26'- 3"	32'-3/4"	26'- 10 3/4"					11"		
29'- 6 3/8"	35'- 4"	30'- 2 1/4"					11"		
32'- 9 3/4"	39'- 5 1/4"	33'- 5 1/2"					12 3/4"		
37'- 8 3/4"	44'- 4 1/4"	38'- 4 5/8"					12 3/4"		

\* Flexible measurements dependent on working width

