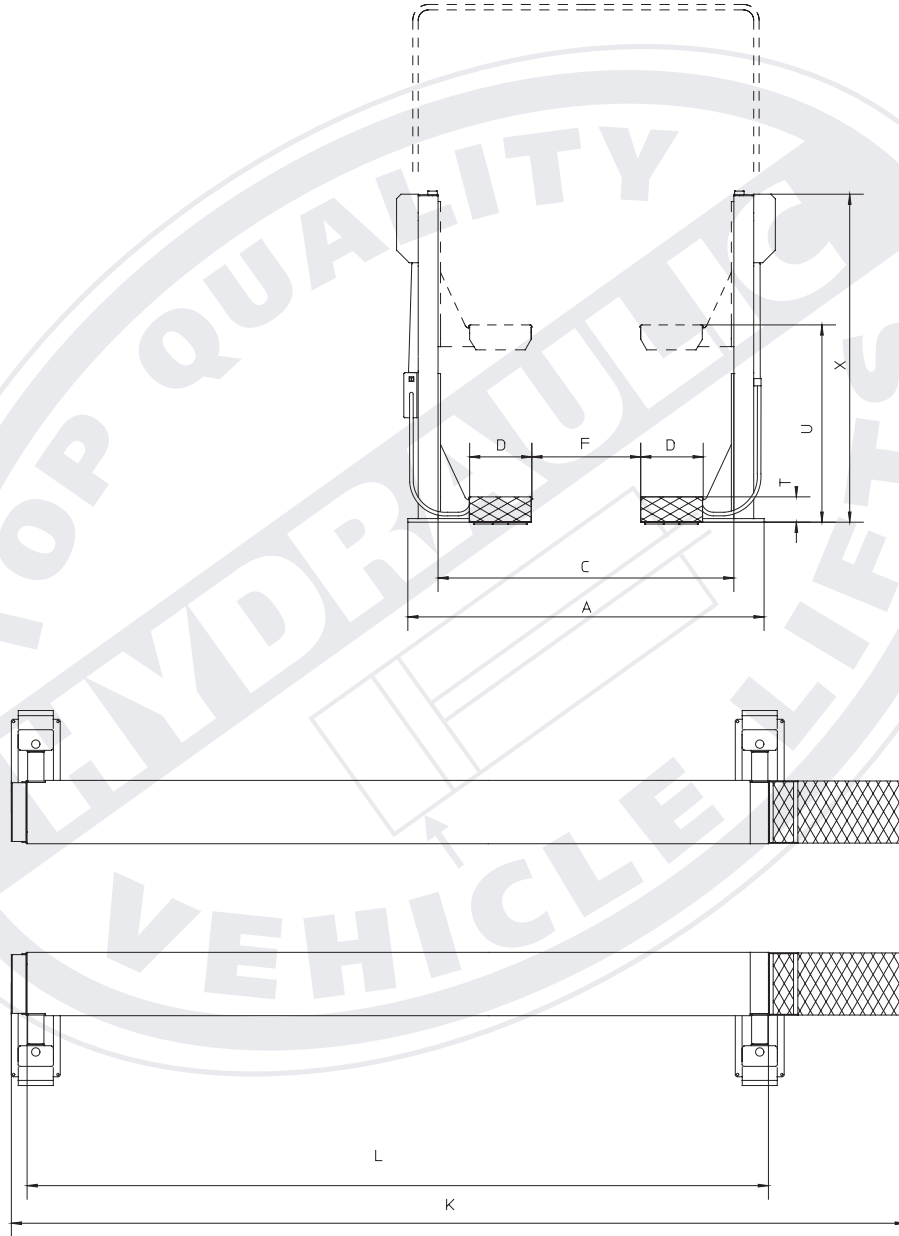
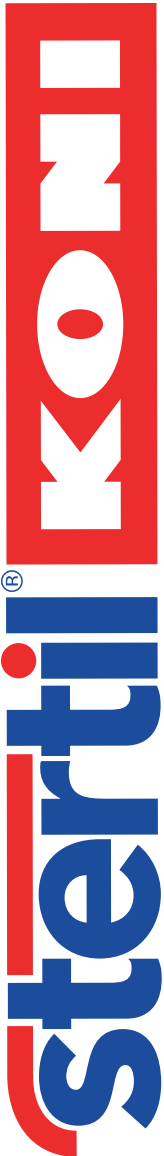


Specifications & Measurements

Vehicle lift type: ST 4100
Lifting system: Hydraulic
Capacity: 22.000 lbs.
Lifting time: 35 Sec.
Lifting height: 6'-1"
Drive-on height: 8 5/8"



Track length	K	L	A	C	D	F	T	U	X
14'- 9 1/8"	19'- 1 1/8"	15'- 4 1/4"	12'- 3 3/4" *	10'- 6 1/4" *	23 5/8"	(39'- 1/4")* (51'-1/4")*	8 5/8"	6'-1"	11'-7 1/4"
19'- 8 1/4"	24'- 1/4"	20'- 3 3/8"							
26'- 3"	30'- 7"	26'-10"							

* Flexible measurements dependent on working width