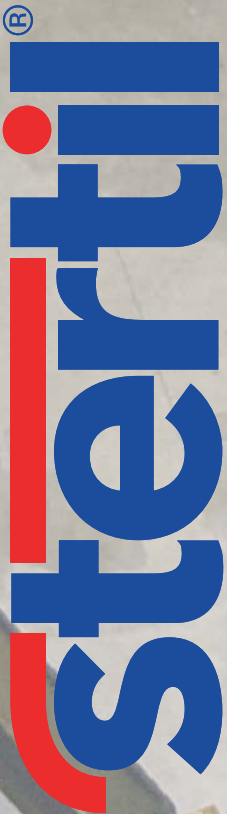
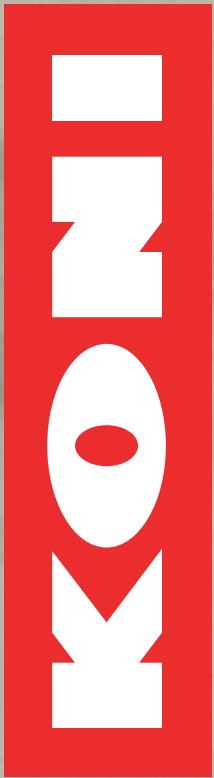


# SK 2070 & SK 2082

Hydraulic 2-column vehicle lifts  
16,000 lbs & 18,000 lbs



Stertil-Koni are specialists in the development and manufacturing of quality, reliable and safe vehicle lifts. The SK 2070, and the SK 2082 with lifting capacities of 16,000 lbs and 18,000 lbs are no exception. Stertil-Koni has developed these lifts specially for the new generation of long and heavy commercial vans and light freight trucks. The system has two hydraulic cylinders and an electronically controlled synchronization system.

#### Telescopic lifting arms

Because of the symmetrical design of the lift you have maximum access to the vehicle. The SK 2070 can be supplied with single or with double telescopic lifting arms, according to your specific needs. The SK 2082 has single telescopic lifting arms. As a standard both lifts are equipped with a handy toolbox on each lifting arm and with two sets of pick-up extensions.

#### Width between the columns

The width between the columns may vary between 110-126 inches. Therefore you can adapt the lift to your workshop or range of vehicles.

#### Patented guide wheels

The patented guide wheels system with 6 guide wheels on each side is self-lubricating and thus needs no maintenance. Stertil-Koni gives lifetime guarantee on these guide wheels.

#### High stability

The lift is highly stable due to the specially-designed base plates. The specially-shaped columns provide even greater strength and rigidity. This allows the SK 2070 and the SK 2082 in contrast to other lifts, to be placed on a workshop floor with only 7" thickness.

#### Operational reliability

The Stertil-Koni 2-post lifts are renowned for their reliability, long lifespan and high resale value. Stertil-Koni vehicle lifts are designed for intensive and problem-free use. The SK 2070 and the SK 2082 were tested during development with a minimum of 50,000 lifting cycles under a full load.



## Options:

- Lighting set (4 fittings).
- Installation kit for column connections through concrete floor
- Single phase version
- Double telescopic lifting arms for SK 2070 (adjustable from 32 1/2" up to 75")
- Extra control panel
- Special lifting fittings

## Specifications:

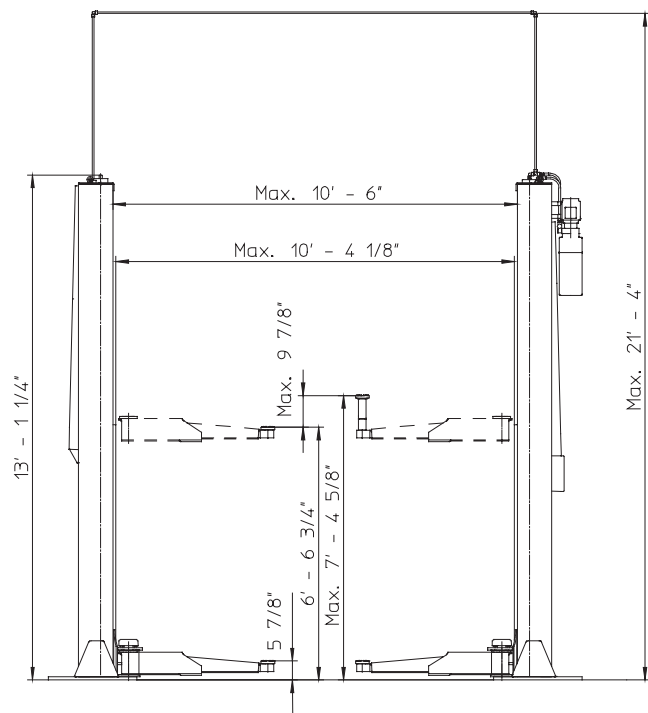
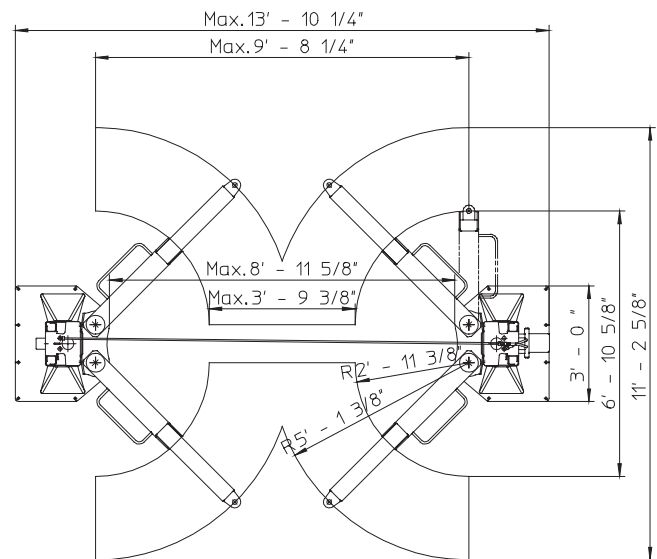
Vehicle lift Type: SK 2070 AB & SK 2082 AB  
 Lifting system: Hydraulic  
 Lifting capacity: 16,000 lbs. & 18,000 lbs.  
 Width between the columns: adjustable 110" - 126"  
 Lifting time: 48 sec. & 62 sec.  
 Lifting height: 79"  
 Pick-up height: 6"



Double telescopic lifting arm for SK 2070



Special lifting fittings



SK 2070 AB & SK 2082 AB

### More information?

For more or specific information about the SK 2070 and the SK 2082, or one of the other quality products from Stertil-Koni, please contact us for further assistance.



Stertil Koni USA Inc.

200 Log Canoe Circle

Stevensville, Maryland 21666

Tel. 410-643-9001 Toll free 800-336-6637 Fax 410-643-8901

www.stertil-koni.com E-mail: lifts@stertil-koni.com



A MEMBER OF THE KROYMANS A.R.M.-STOKVIS GROUP