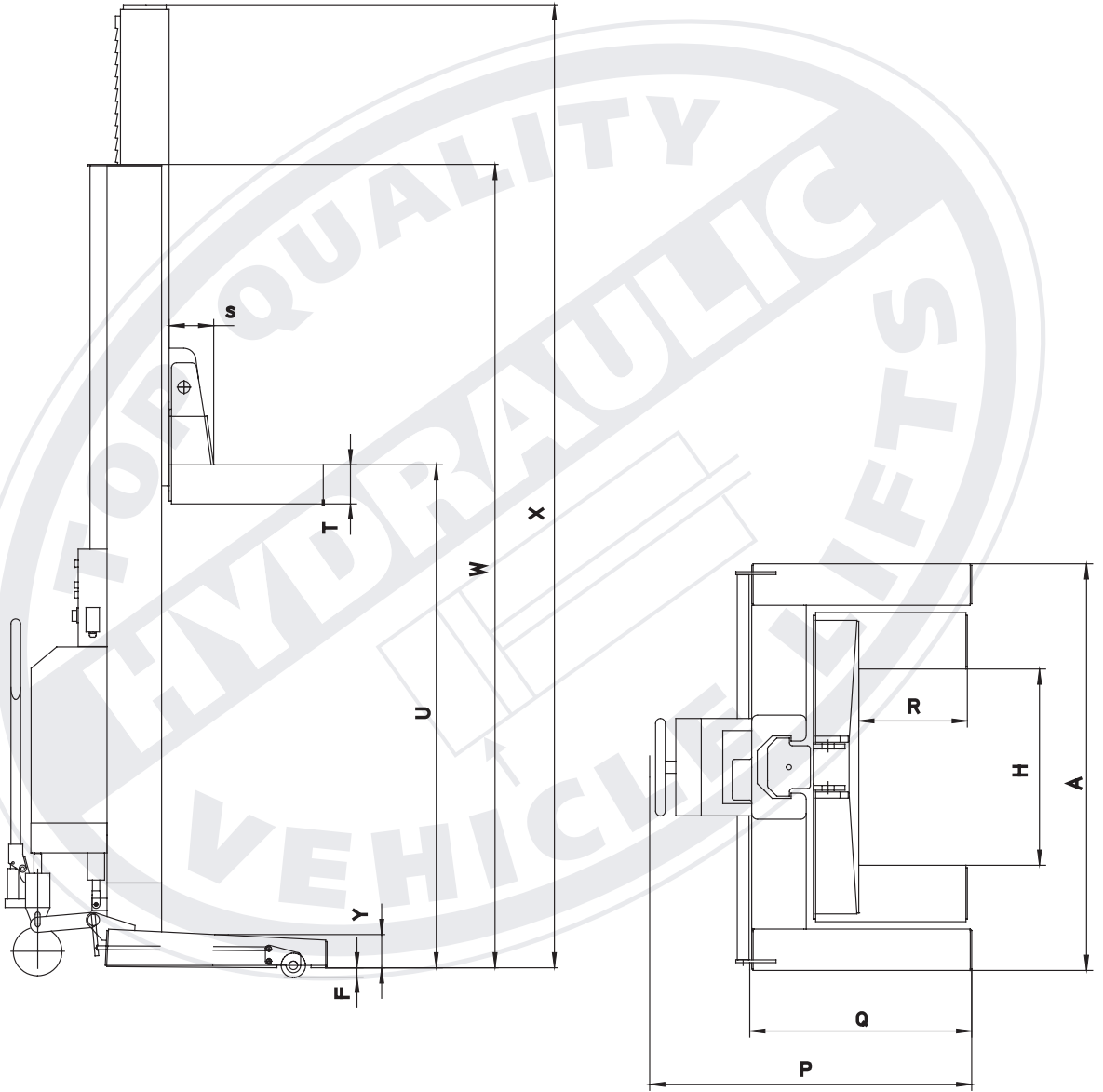


Specifications & Measurements



Vehicle lift type: ST 1175
 Lifting system: Hydraulic
 Capacity: 40,000 lbs.
 Lifting time: 190 Sec.
 Lifting height: 81"



Model	A	H	P	Q	R	S	T	U	W	X	Y
ST 1175	65 3/4"	31 3/4"	52"	36"	17 3/4"	7 1/4"	6 1/4"	81"	130"	155 3/4"	5 3/8"

