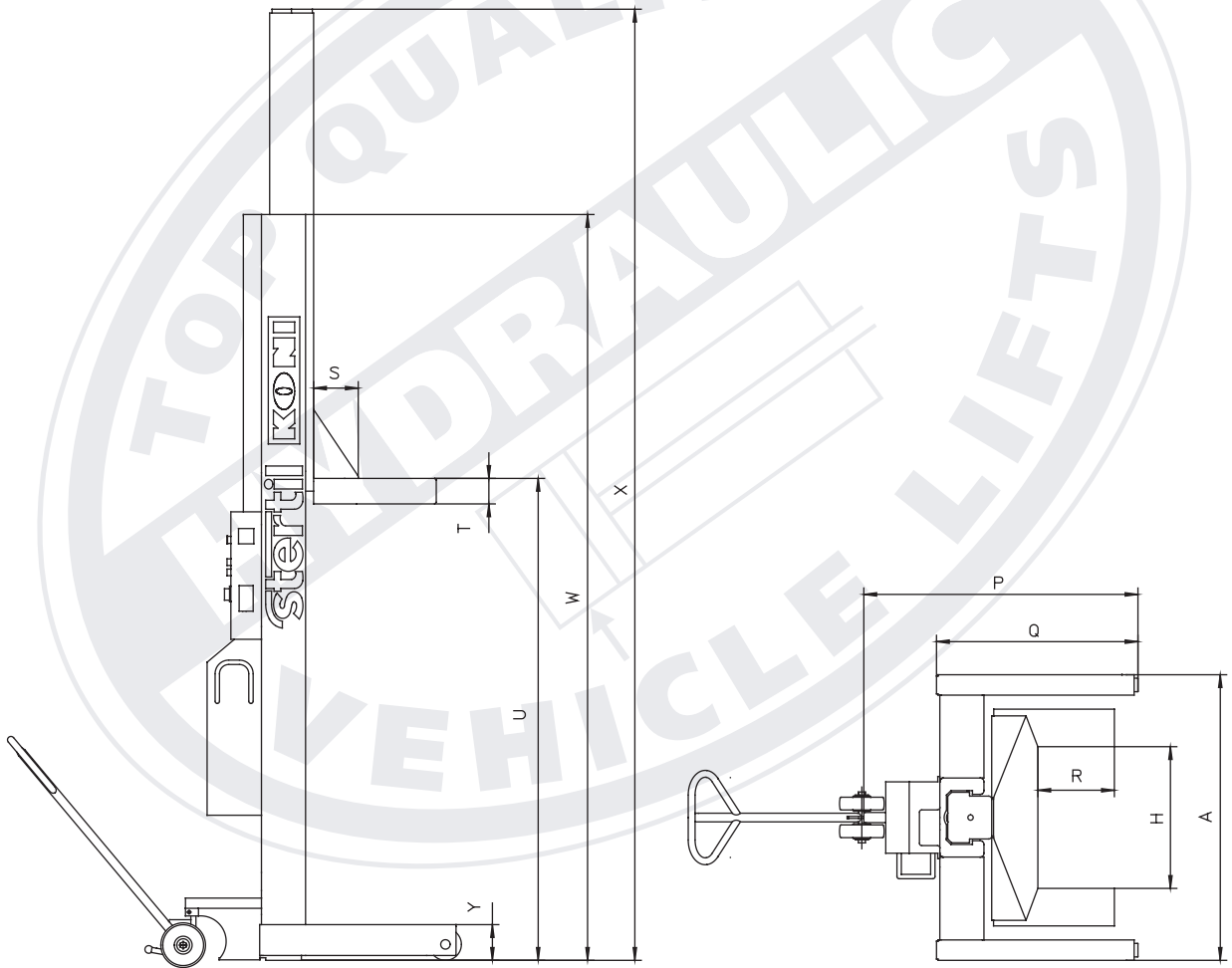


Specifications & Measurements

Vehicle lift type: ST 1055
 Lifting system: Hydraulic
 Capacity: 10,000 lbs.
 Lifting time: 70 Sec.
 Lifting height: 71"



Model	A	H	P	Q	R	S	T	U	W	X	Y
ST 1055	44"	22"	42 1/2"	31"	12"	7"	4"	75"	115"	147"	5 3/4"

